

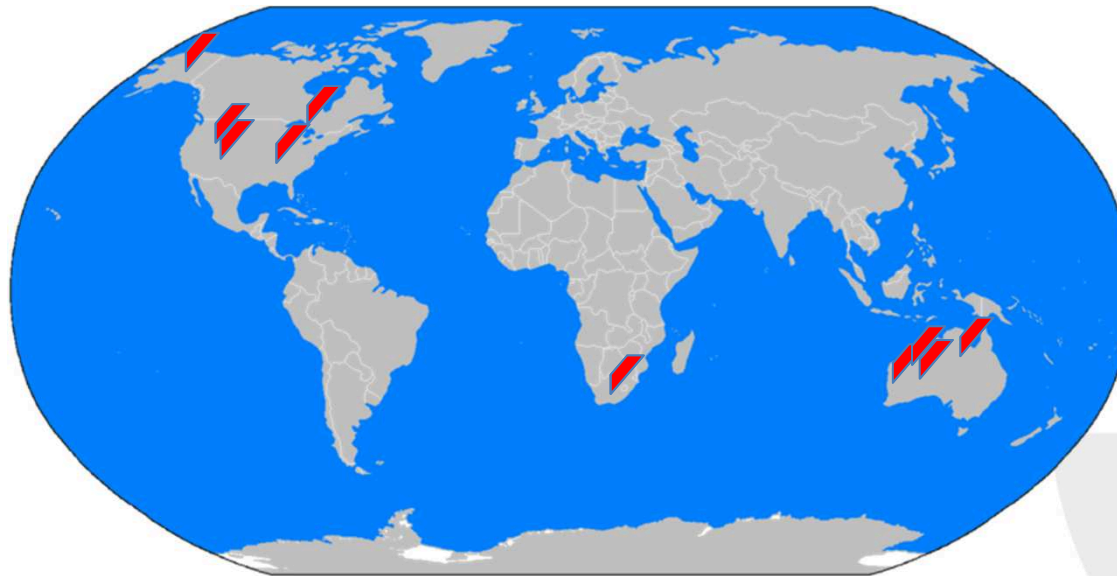


Getting through complex cover to basement

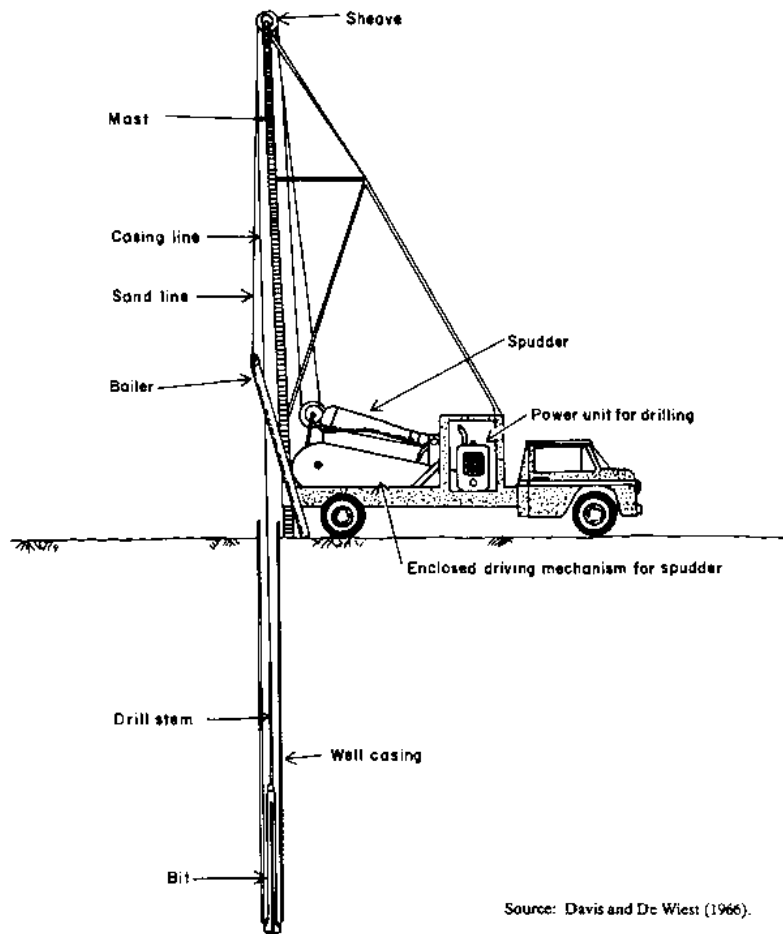




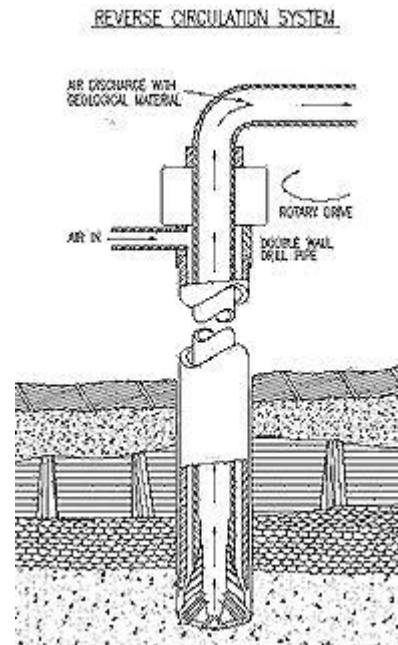
- First Drilling
 - Surface and Underground drilling contractor
 - Main operations in Australia and North America



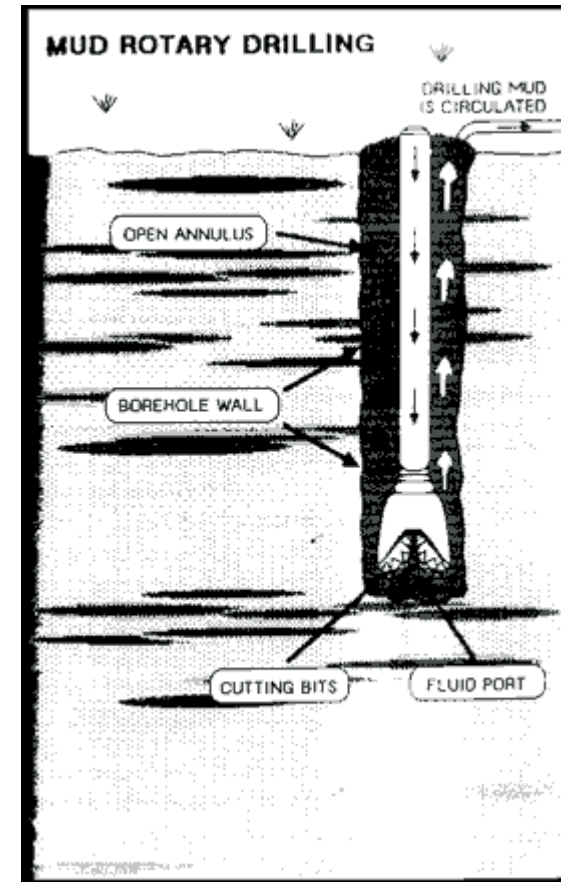
A short History of exploration drilling in the Eucla Basement



Source: Davis and De Wiest (1966).



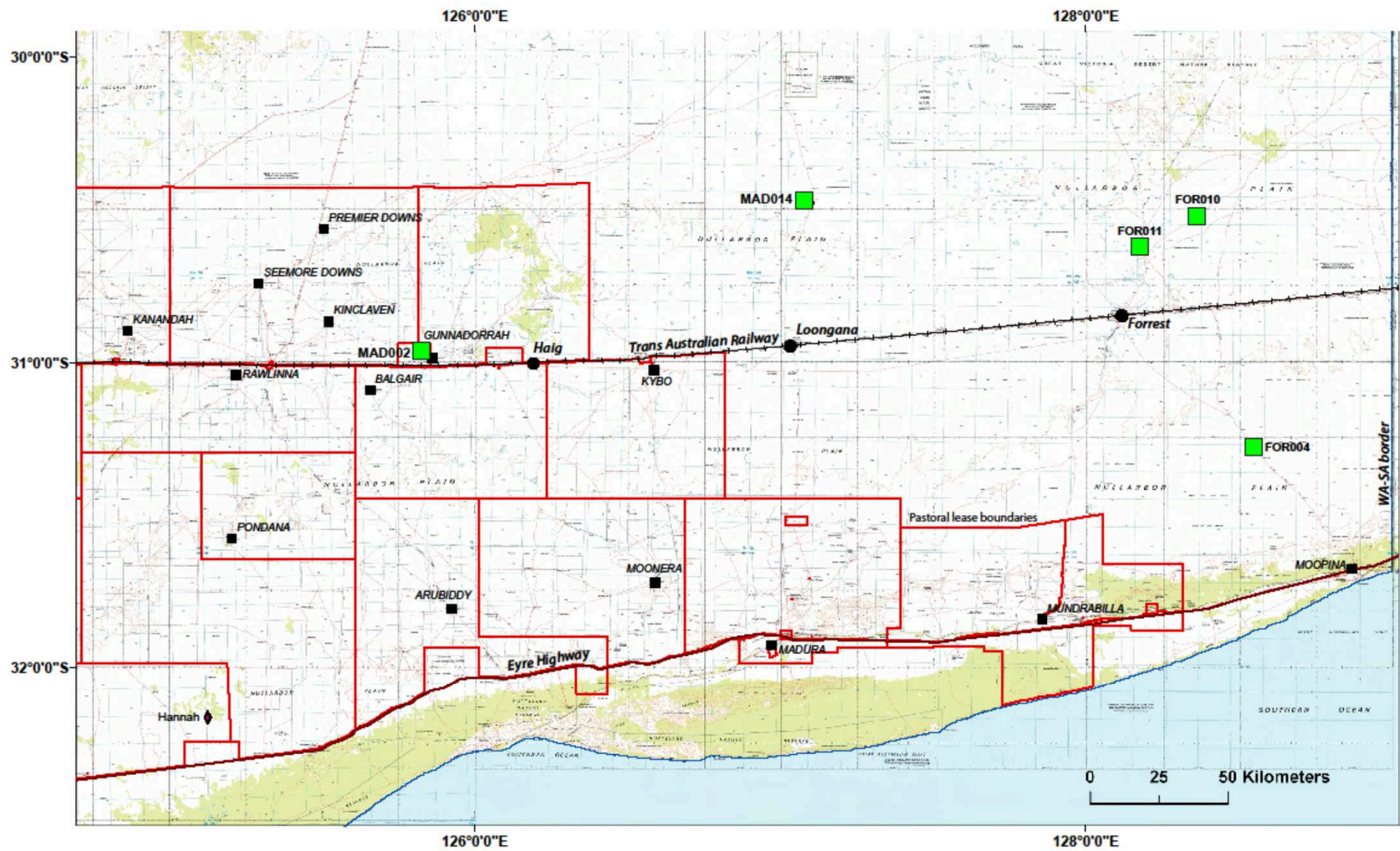
Source: Colcrete - Eurodrill

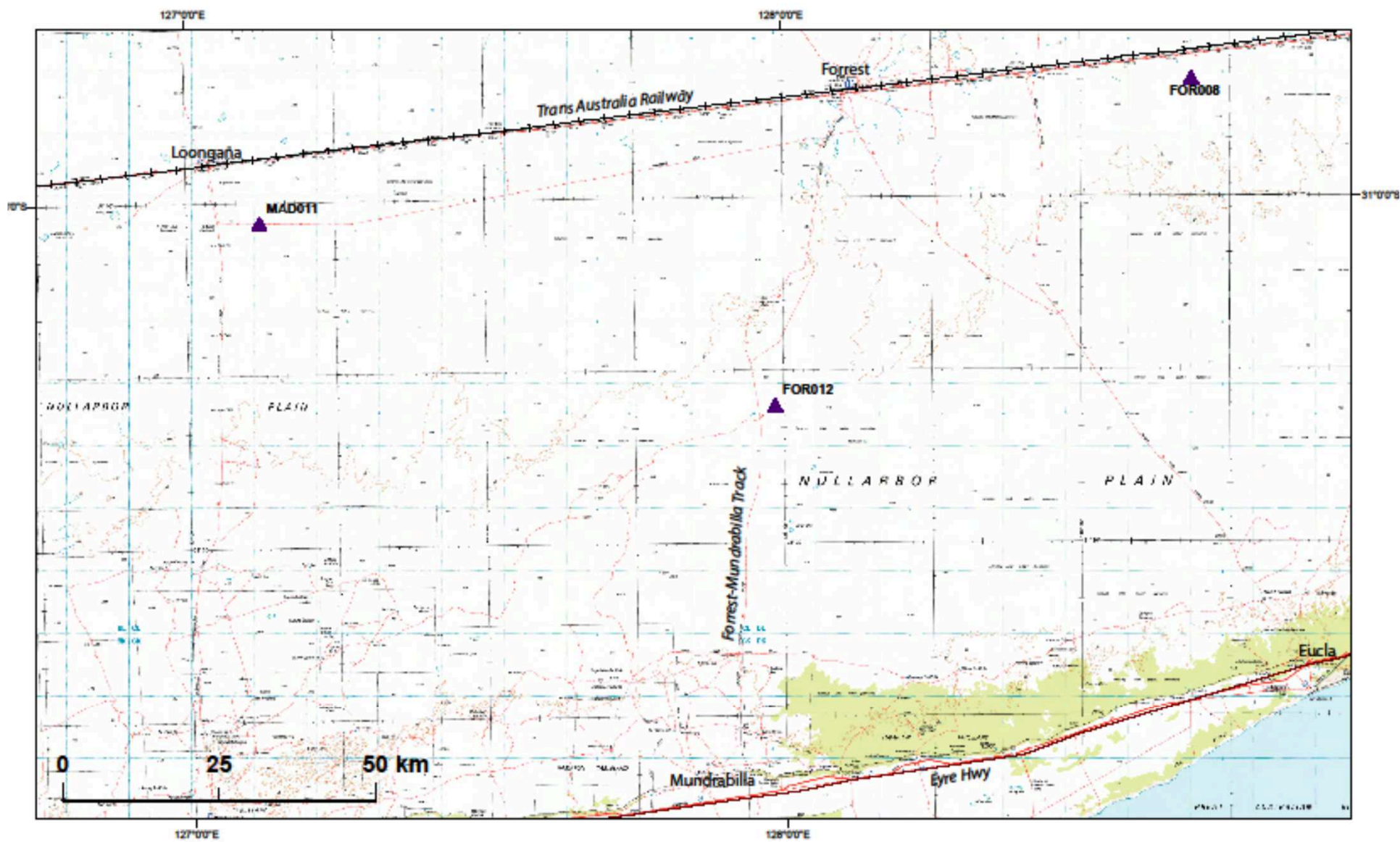


Source: Keely & Boateng (1987)

Getting There







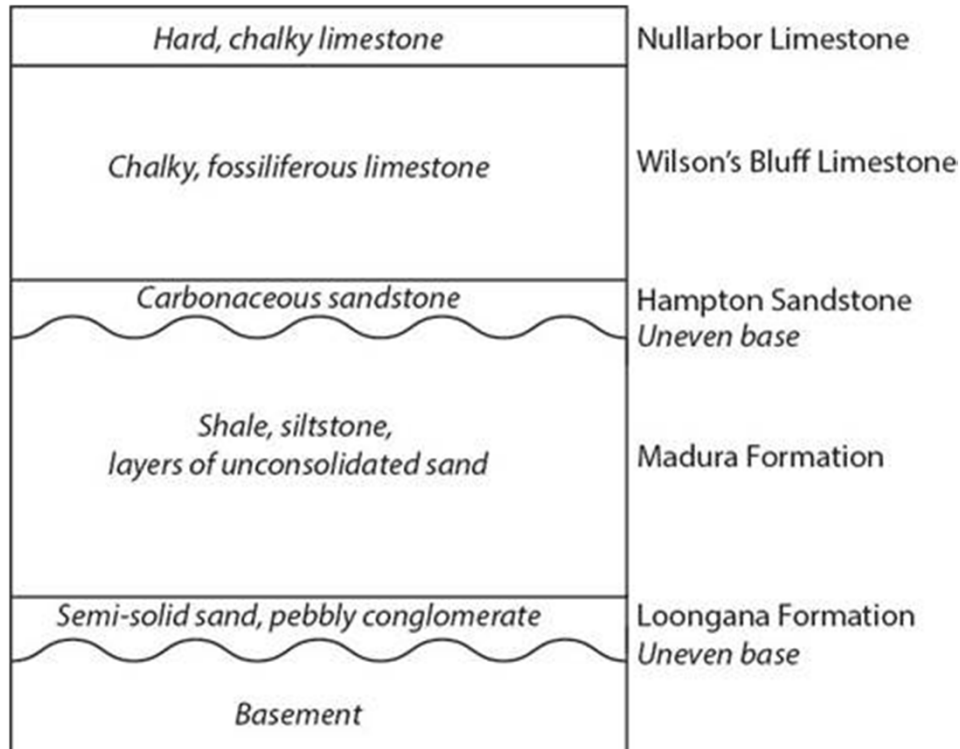
Critical Setup





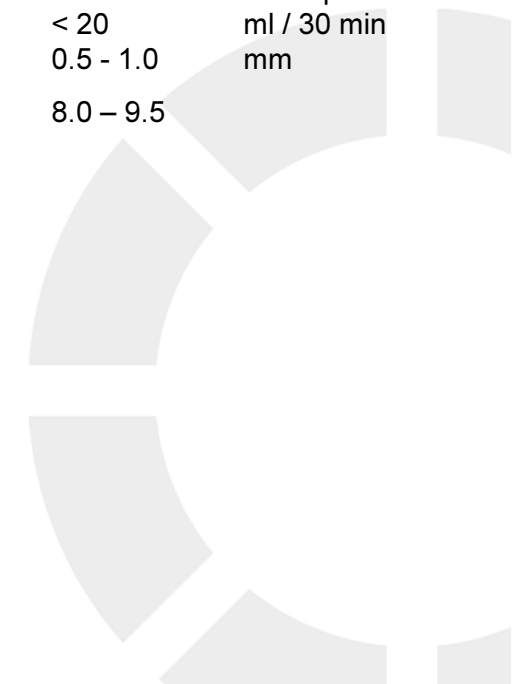


Drilling Fluid Program



Target Fluid Properties

Mud Weight	1.00 – 1.05	Sg
Viscosity	40 - 45	sec / quart
Filtrate	< 20	ml / 30 min
Filter cake	0.5 - 1.0	mm
pH	8.0 – 9.5	





What to be aware of



